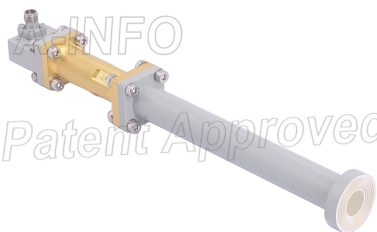
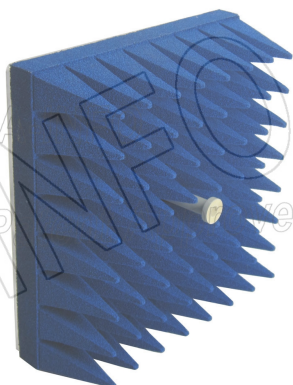


For reference only. See data sheet for the detailed specifications.

Technical Specification

LB-ACH-34-10-C-KF


Frequency Range(GHz)	22.0 – 33.0
Waveguide	WR34
Gain(dBi)	10 Typ.
Polarization	Linear
3dB Beamwidth(deg)	E Plane: 55 Typ.
	H Plane: 57 Typ.
10dB Beamwidth(deg)	E Plane: 100 Typ.
	H Plane: 105 Typ.
Cross Pol. Isolation(dB)	45 Typ.
VSWR	A Type: 1.20:1 Typ.
	C Type: 1.40:1 Typ.
Output	A Type: FBP260(UBR260)
	C Type: 2.92mm-Female
Material	Al
Finish	Gold Plated and Silver Plated, Gray Paint
Size(mm)	A Type: 23.3 x 24.0 x 170.1
	C Type: 23.3 x 27.7 x 194.1
	A-A1: 266.4 x 266.4 x 170.1
	C-KF-A1: 266.4 x 266.4 x 194.1
Net Weight(Kg)	A Type: 0.10 Around
	C Type: 0.13 Around
	A-A1: 1.21 Around
	C-KF-A1: 1.24 Around

LB-ACH-34-10-C-KF-A1

PATENT ID (China)
ZL201921371930.2, ZL202030087780.4, ZL202030087802.7
AINFO Inc.

China(Beijing):
China(Chengdu):
USA :

Tel: (+86) 10-6266-7326,
Tel: (+86) 28-8519-2786,
Tel: (+1) 949-639-9688,

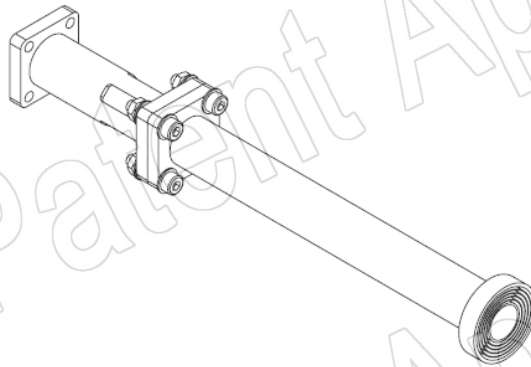
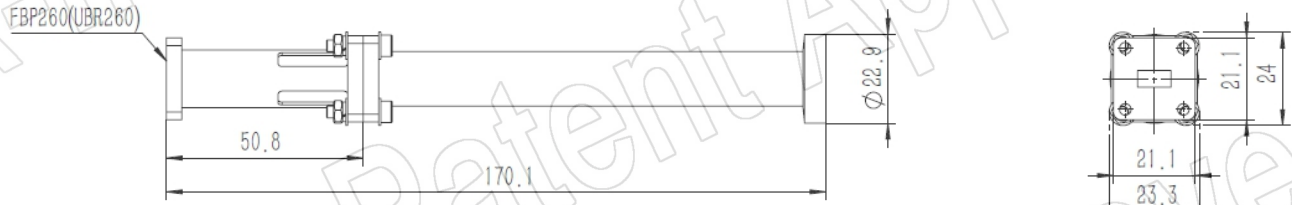
(+86) 10-6266-7327
(+86) 28-8519-3044
(+1) 949-639-9608

Fax: (+86) 10-6266-7379
Fax: (+86) 28-8519-3068
Fax: (+1) 949-639-9670

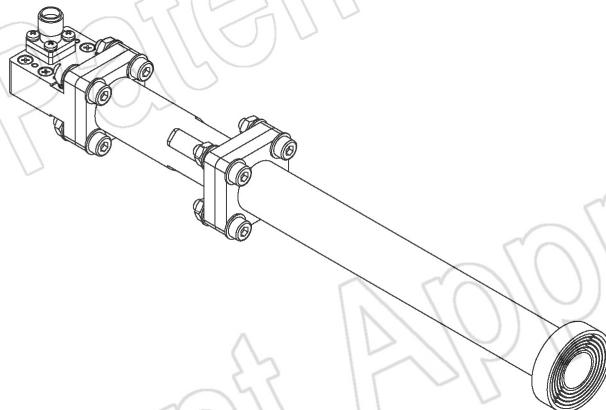
Website: www.ainfoinc.com
Email: sales@ainfoinc.com

Outline Drawing (Size: mm)

FBP260 Output (P/N: LB-ACH-34-10-A)



2.92mm-Female Output (P/N: LB-ACH-34-10-C-KF)



AINFO Inc.

China(Beijing):
China(Chengdu):
USA :

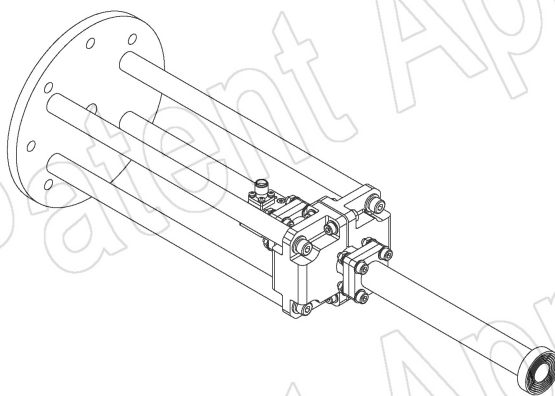
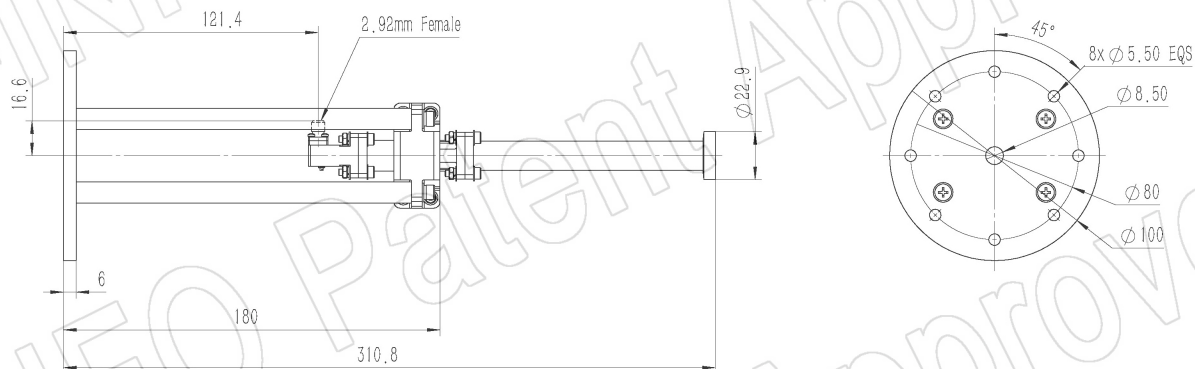
Tel: (+86) 10-6266-7326,
Tel: (+86) 28-8519-2786,
Tel: (+1) 949-639-9688,

(+86) 10-6266-7327
(+86) 28-8519-3044
(+1) 949-639-9608

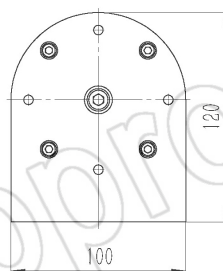
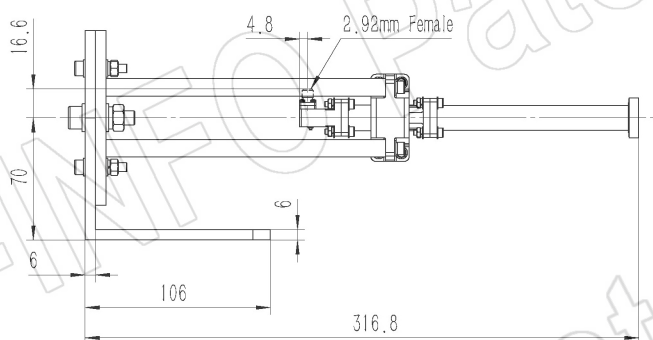
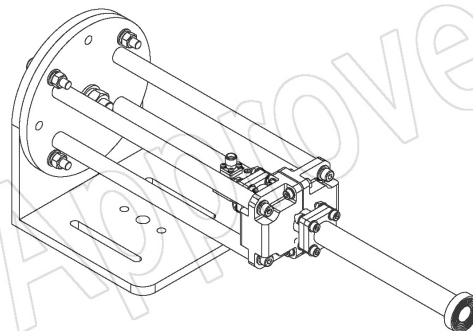
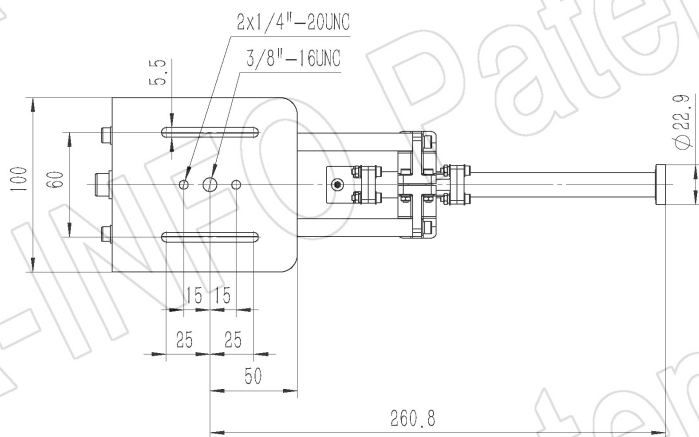
Fax: (+86) 10-6266-7379
Fax: (+86) 28-8519-3068
Fax: (+1) 949-639-9670

Website: www.ainfoinc.com
Email: sales@ainfoinc.com

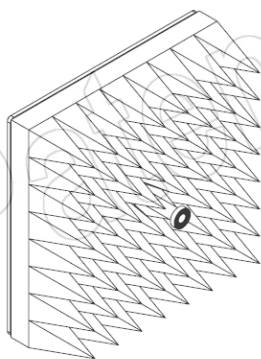
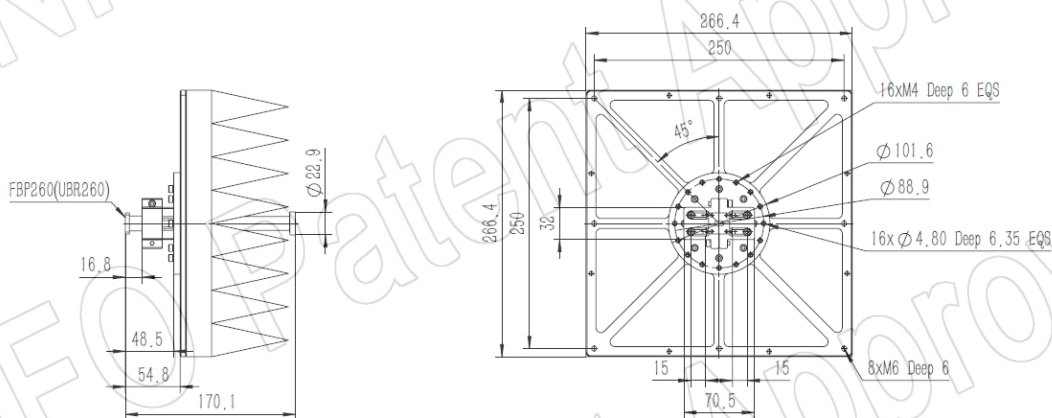
2.92mm-Female Output with Round Mounting Bracket (Option, P/N: LB-CNH-34-10-MB)



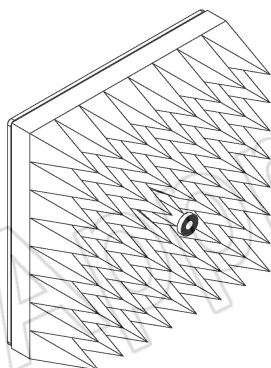
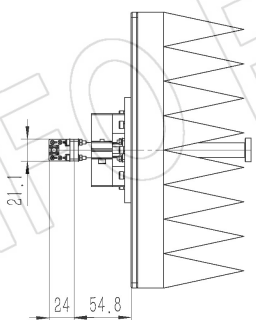
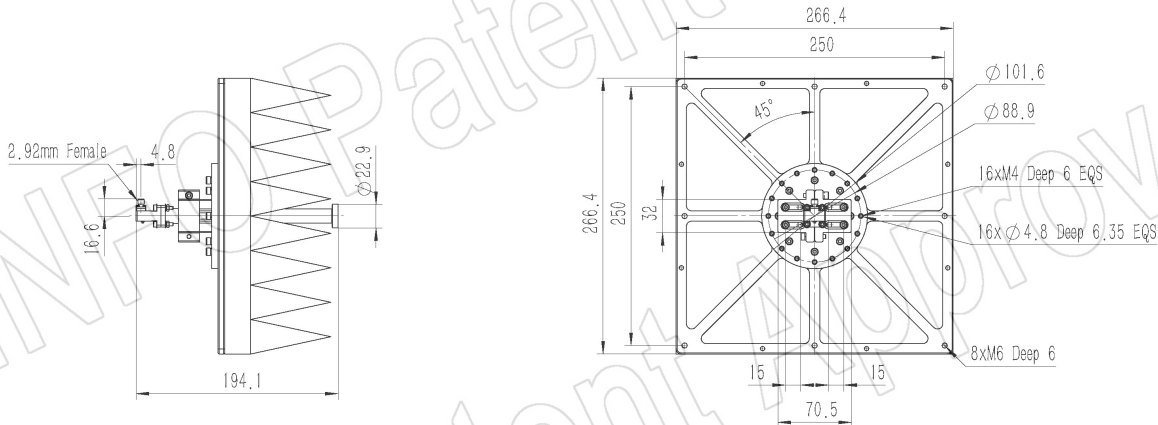
2.92mm-Female Output with L Type Mounting Bracket (Option, P/N: LB-CNH-34-10-MBL)



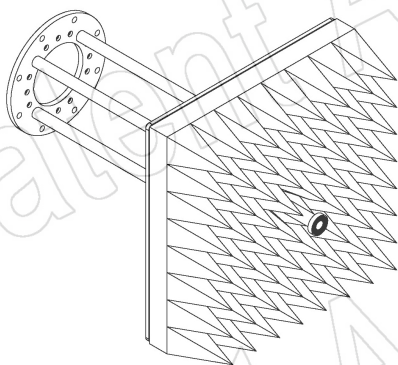
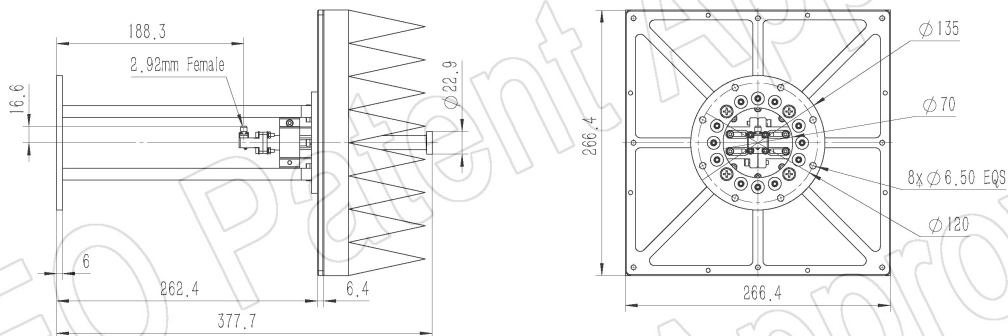
FBP260 Output, Equipped with Absorber (Option, P/N: LB-ACH-34-10-A-A1)



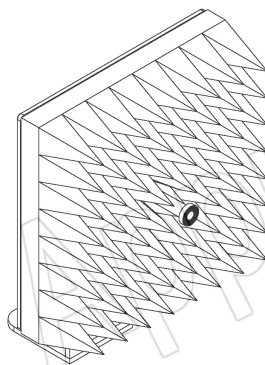
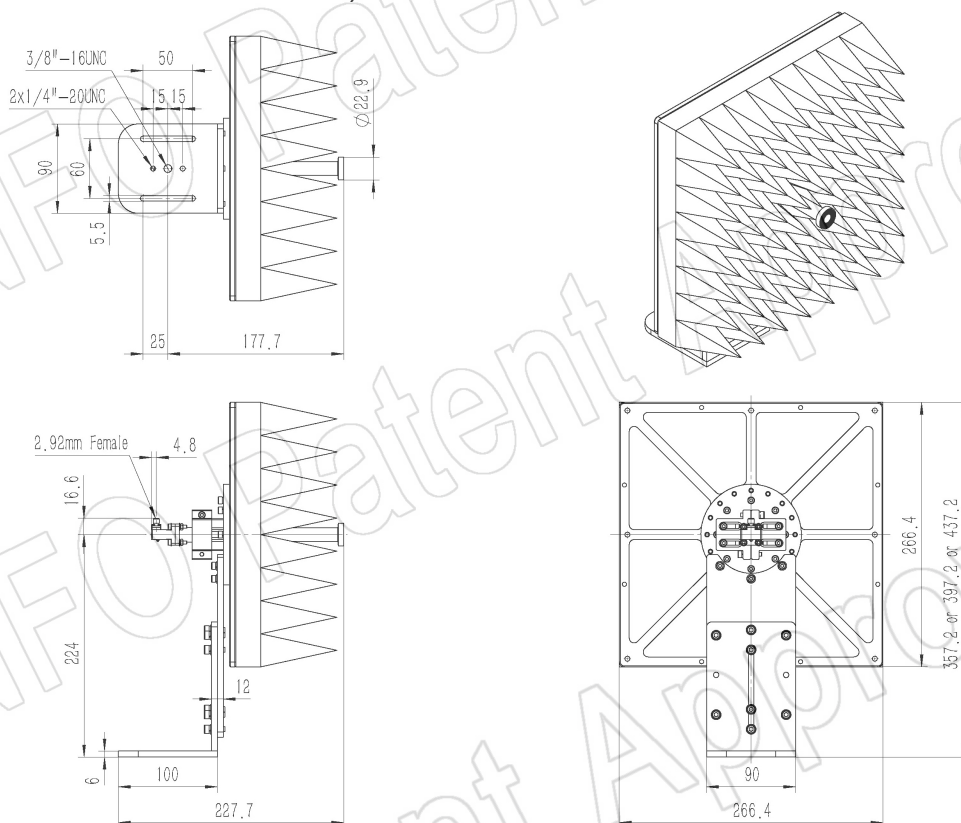
2.92mm-Female Output, Equipped with Absorber (Option, P/N: LB-ACH-34-10-C-KF-A1)



2.92mm-Female Output with Round Mounting Bracket & Equipped with Absorber (Option, P/N: EWG-MB40 & LB-ACH-34-10-C-KF-A1)

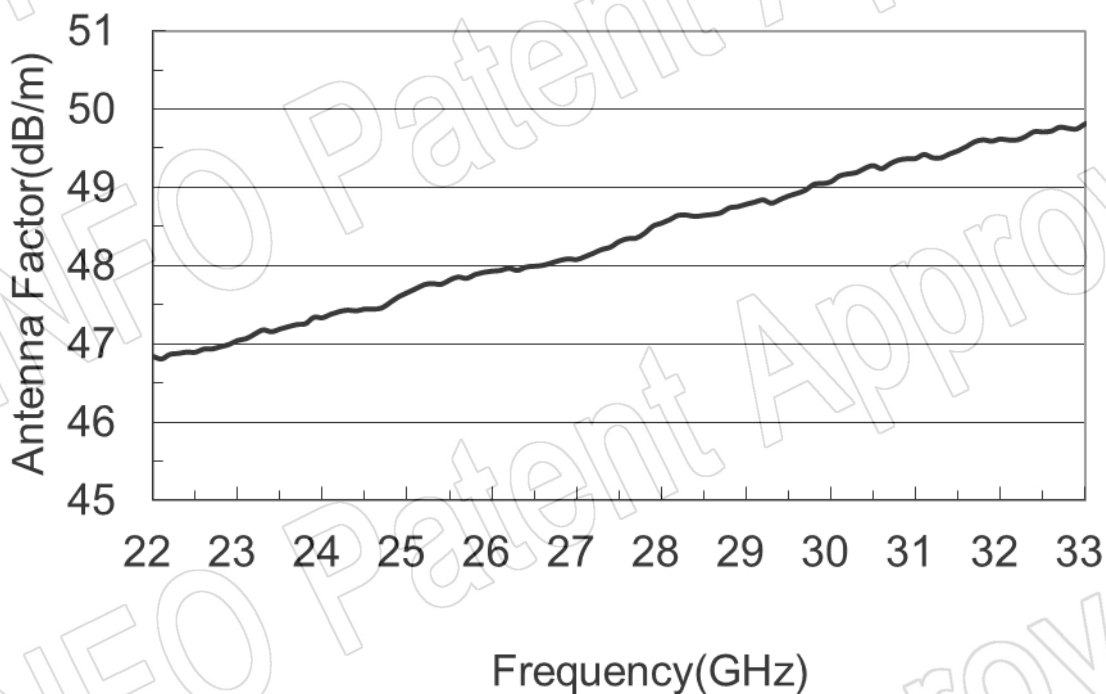
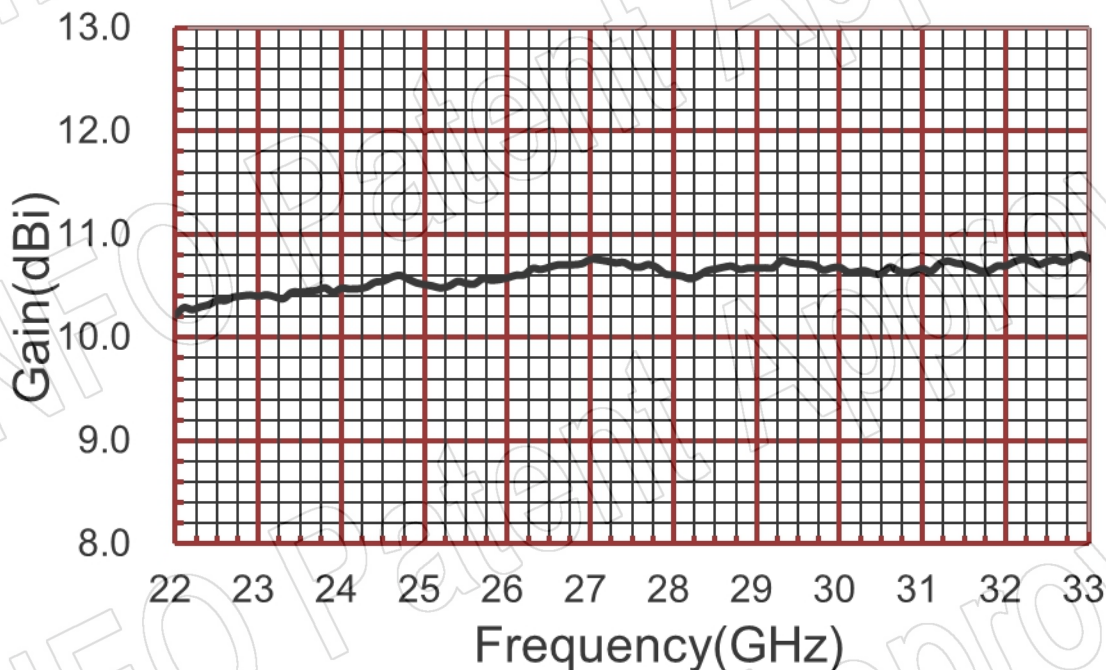


2.92mm-Female Output with L Type Mounting Bracket & Equipped with Absorber (Option, P/N: EWG-L40 & LB-ACH-34-10-C-KF-A1)

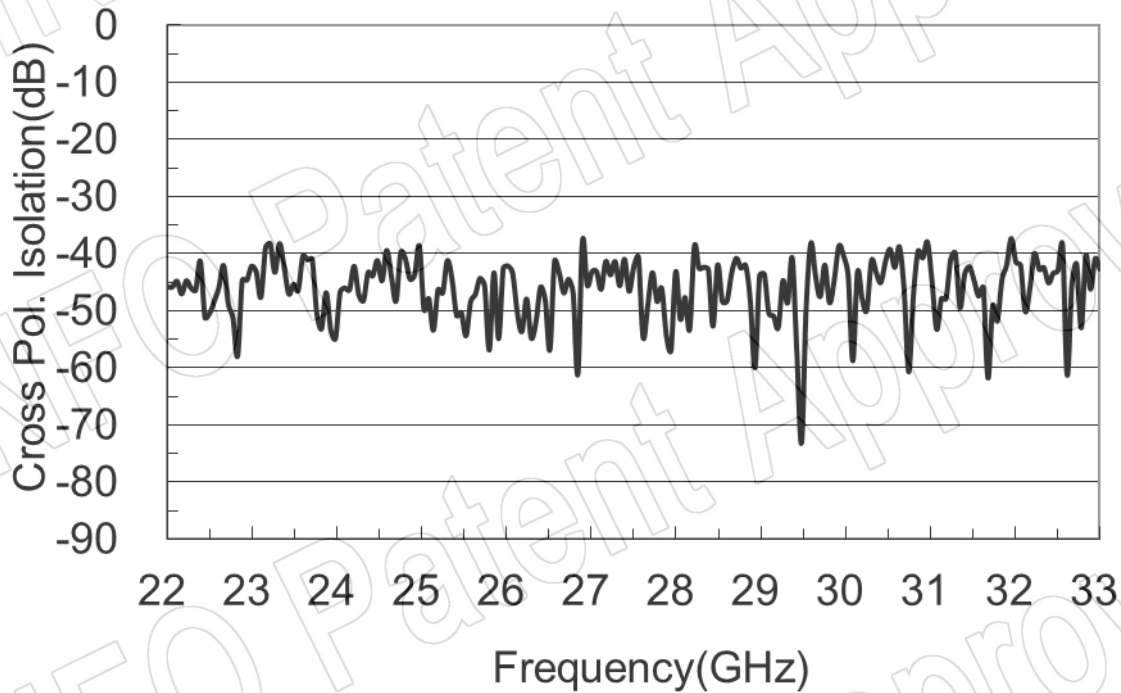


Test Results

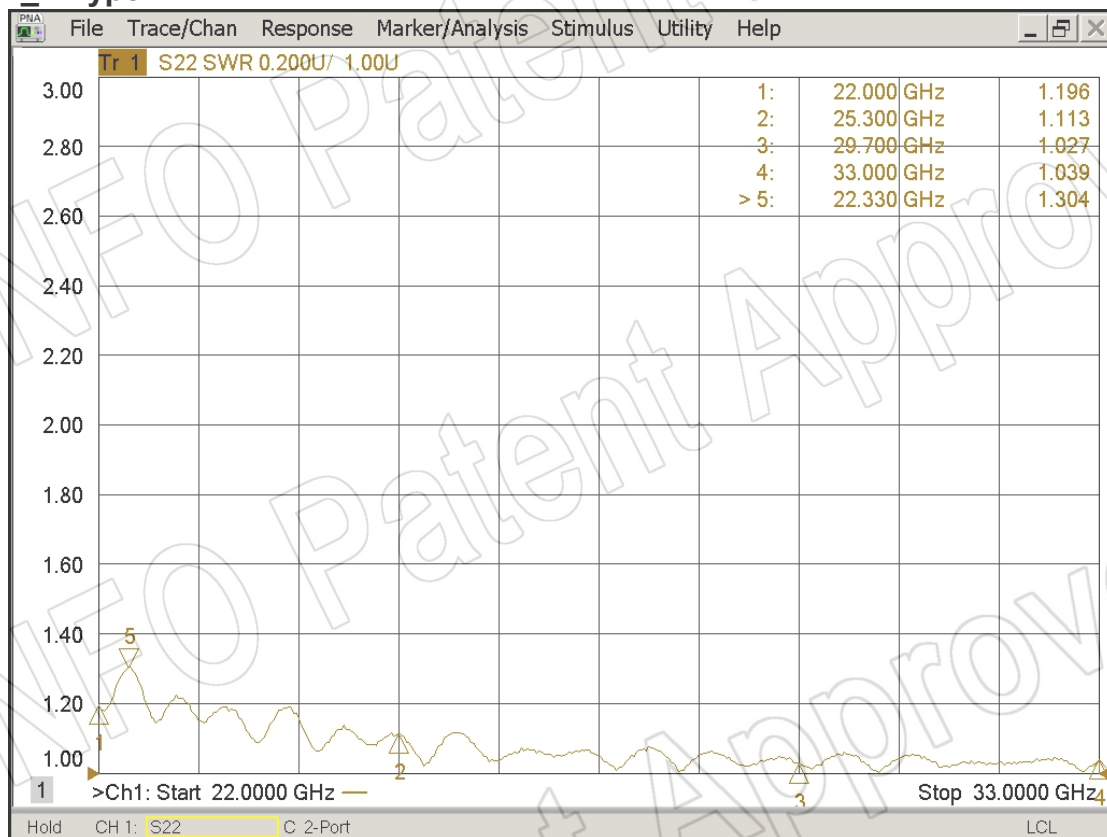
1. Gain & Antenna Factor



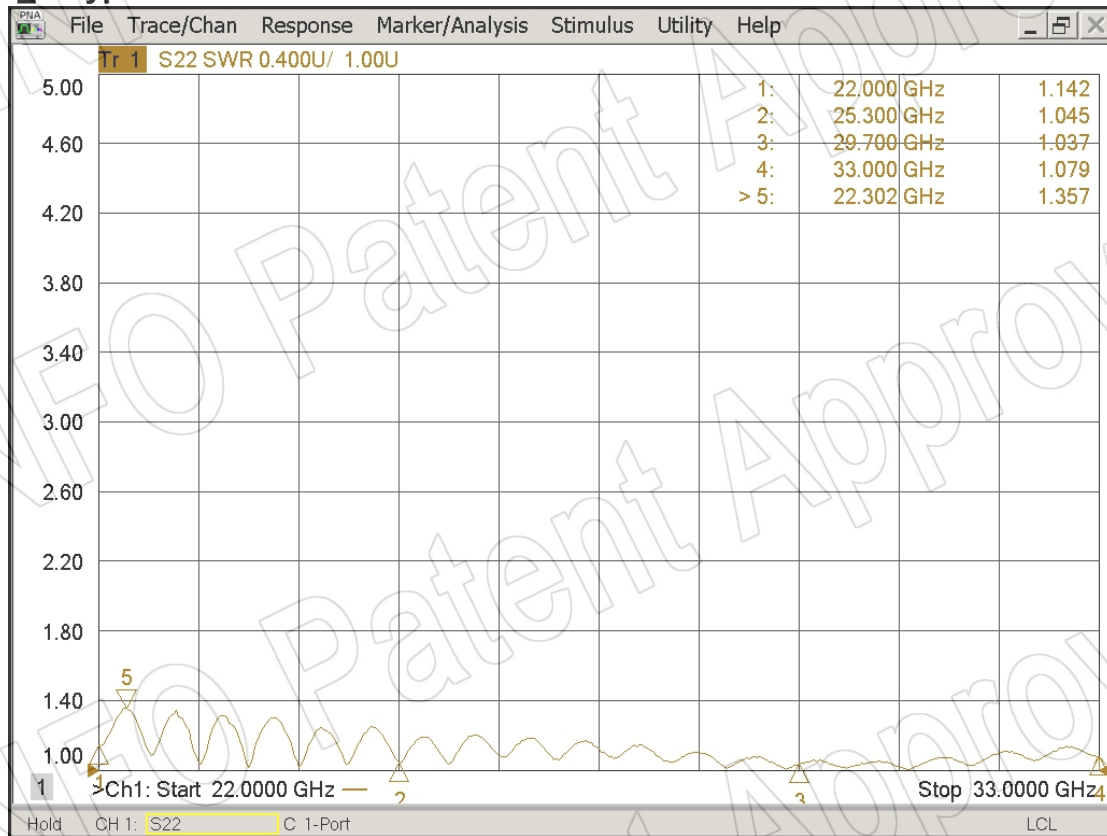
2. Cross Polarization Isolation



3. VSWR A Type



VSWR_C Type



4. Pattern

